



南通优睿半导体有限公司

名称: LQFP48L(7X7X1.4-0.5) POD

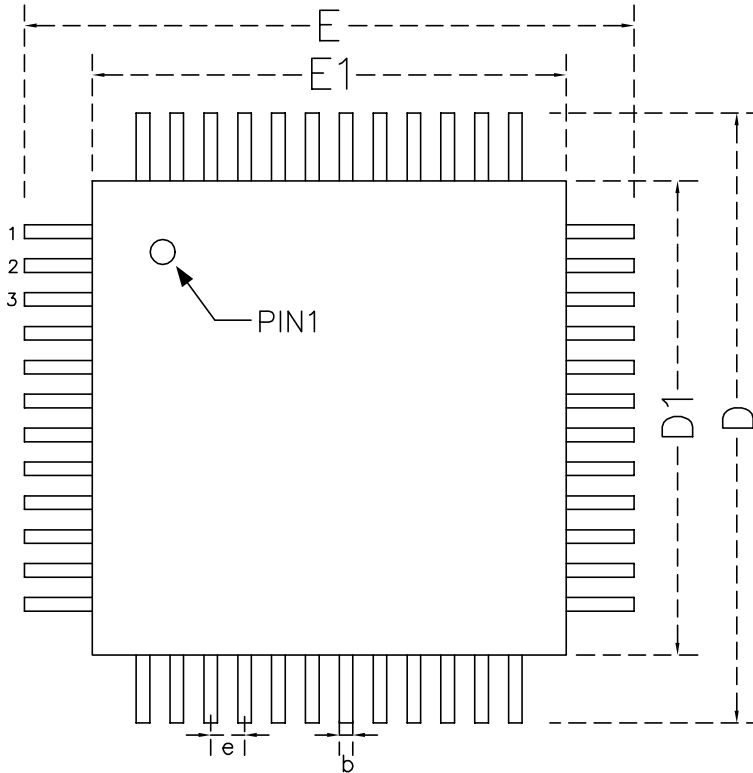
编号: YR-ZZ-ES-064 版本: A/1

DRN: 蔡裕辉

APPD: 许海渐

Date: 2023-08-08

◇ LQFP48L(7X7X1.6-0.5) POD

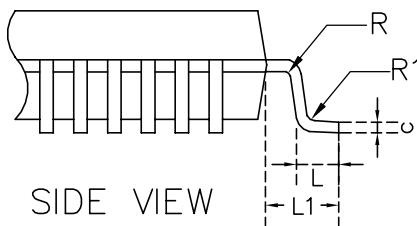
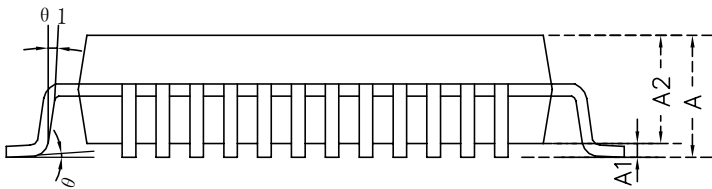


TOP VIEW

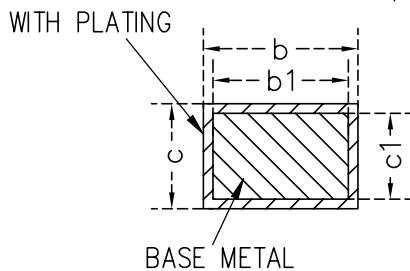
| SYMBOL | MIN | NOM | MAX |
|------------|---------|-------|-------|
| A | — | — | 1.60 |
| A1 | 0.05 | 0.10 | 0.15 |
| A2 | 1.35 | 1.40 | 1.45 |
| c1 | 0.117 | 0.127 | 0.137 |
| c | 0.13 | 0.155 | 0.18 |
| b1 | 0.175 | 0.20 | 0.225 |
| b | 0.188 | 0.228 | 0.268 |
| D | 8.80 | 9.00 | 9.20 |
| D1 | 6.80 | 7.00 | 7.20 |
| e | 0.5BSC | | |
| E | 8.80 | 9.00 | 9.20 |
| E1 | 6.80 | 7.00 | 7.20 |
| L | 0.45 | 0.60 | 0.75 |
| L1 | 1.00REF | | |
| R | 0.08 | — | — |
| R1 | 0.08 | — | 0.20 |
| θ | 1.0° | 3.5° | 6.0° |
| $\theta 1$ | 5.5° | 8° | 10.5° |

NOTES:

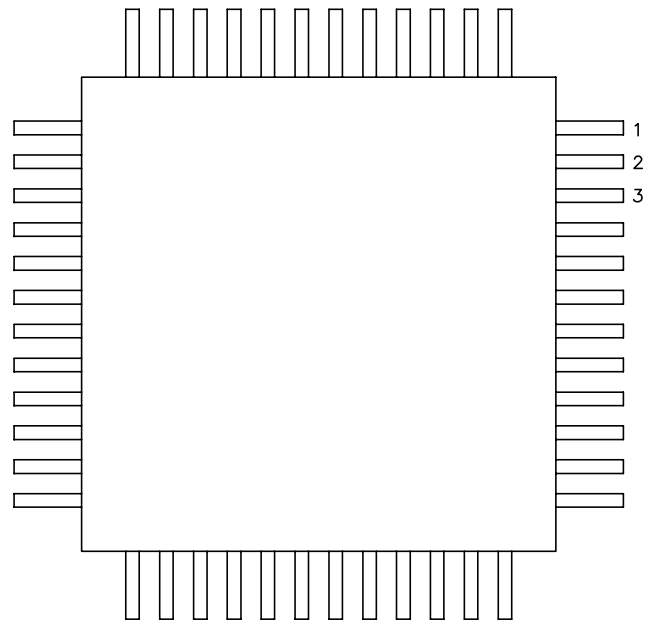
1. ALL DIMENSIONS REFER TO JEDEC STANDARD MO-137E
2. DIMENSION D DOES NOT INCLUDE MOLD FLASH
3. DIMENSION E1 DOES NOT INCLUDE MOLD FLASH
4. FLASH OR PROTRUSION SHALL NOT EXCEED 0.25mm PER SIDE.



SIDE VIEW



BASE METAL



BOTTOM VIEW