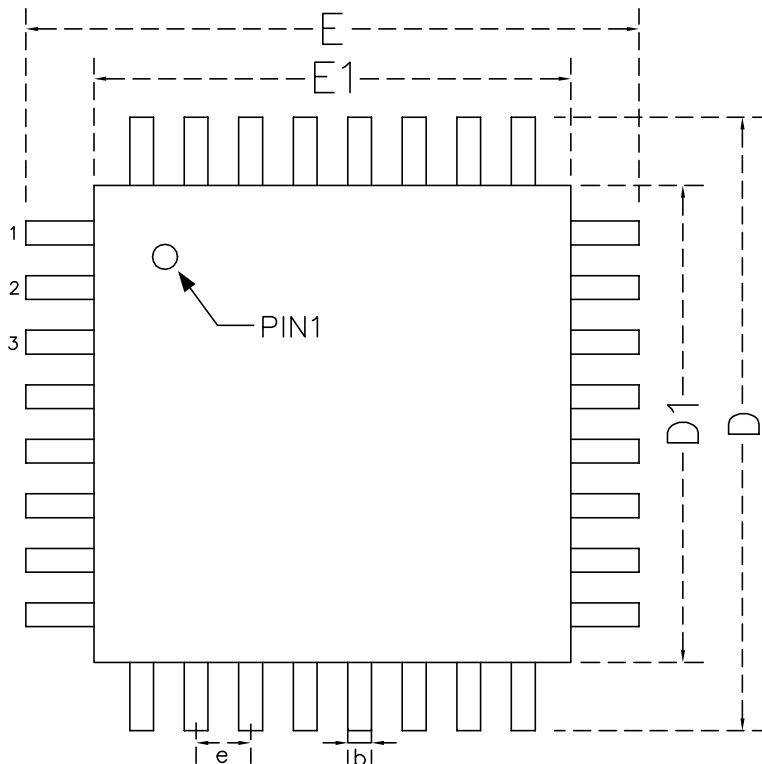
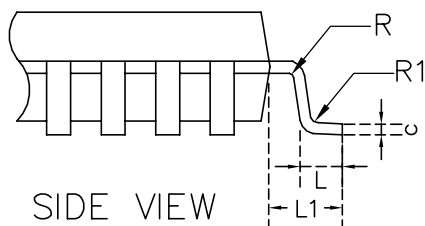
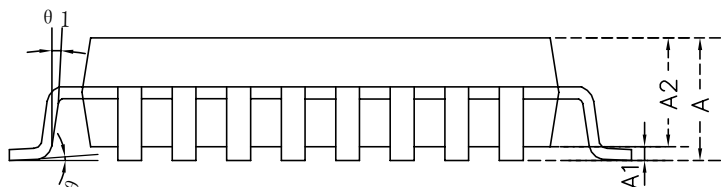


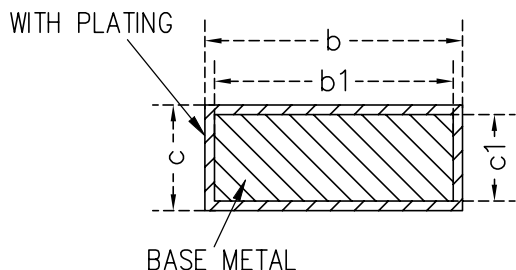
◇ LQFP32L(7X7X1.6-0.8) POD



TOP VIEW



SIDE VIEW

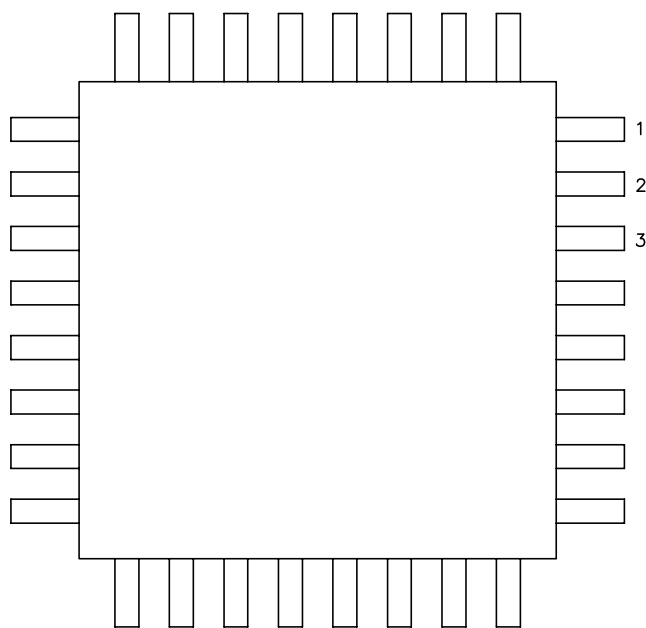


BASE METAL

SYMBOL	MIN	NOM	MAX
A	—	—	1.60
A1	0.05	0.10	0.15
A2	1.35	1.40	1.45
c1	0.117	0.127	0.137
c	0.13	0.155	0.18
b1	0.325	0.35	0.375
b	0.338	0.378	0.418
D	8.80	9.00	9.20
D1	6.80	7.00	7.20
e	0.8BSC		
E	8.80	9.00	9.20
E1	6.80	7.00	7.20
L	0.45	0.60	0.75
L1	1.00REF		
R	0.08	—	—
R1	0.08	—	0.20
θ	1.0°	3.5°	6.0°
θ1	5.5°	8°	10.5°

NOTES:

1. ALL DIMENSIONS REFER TO JEDEC STANDARD MO-137E
2. DIMENSION D DOES NOT INCLUDE MOLD FLASH
3. DIMENSION E1 DOES NOT INCLUDE MOLD FLASH
4. FLASH OR PROTRUSION SHALL NOT EXCEED 0.25mm PER SIDE.



BOTTOM VIEW